



İMAJ TEKNİK
ELEKTRİK ELEKTRONİK MALZ. SAN. VE TİC. LTD. ŞTİ

hohner

HOHNER AUTOMAZIONE SRL

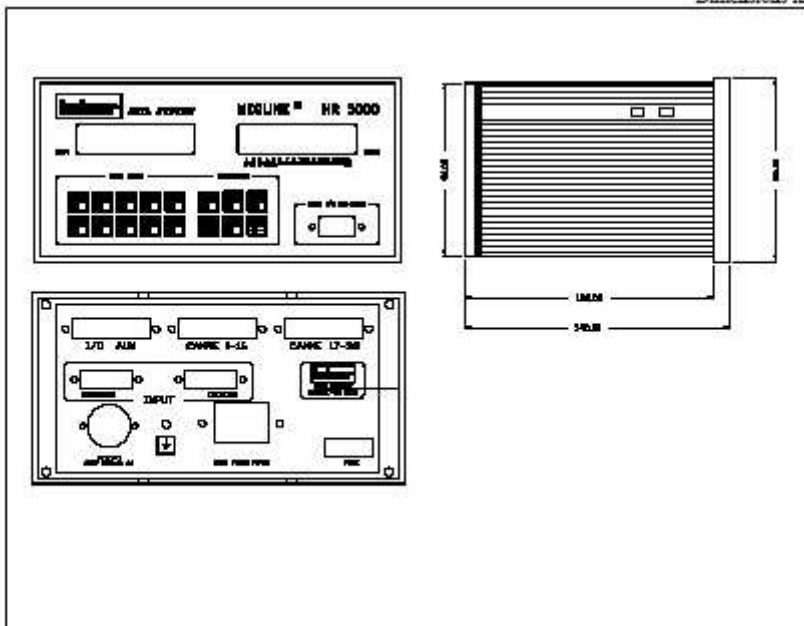
HR 5000

Electronic cam
programmer

- 32 cam available
- up to 900 rev./min
- base displacement up to 359°
- dynamic displacement up to 3600°
- 4 different dynamic displacement for every cam
- 8 programs + the editing program(0), moreover the programmer can be connected to PC to memorise or copy other programs
- edit each cam degree by degree
- encoder data input possible in: GRAY, BINARY, BCD, GRAY EXCESS code
- possibility to input additional messages by serial port



Dimensions in



İMAJ

HR5000

SAFE EDITING

Hohner MEGLINE HR5000 consents to edit and change settings without losing the base routine's data; this is possible because there is specified editing area: the ZERO program, that was planned especially for this function. When you want to modify a program to edit another one, Hohner MEGLINE HR5000 automatically transfers it in the editing area. In this way, the base data will not be modified. Moreover, MEGLINE HR5000 doesn't consent to input invalid data, to have an improved security in your editing.

REAL TIME

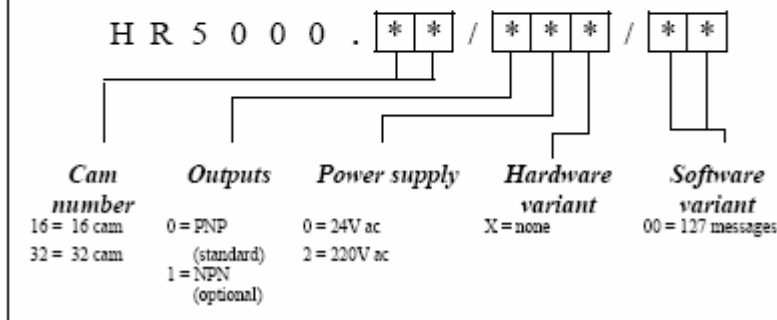
The changing and editing are to be verified often directly over the machine working. Hohner MEGLINE HR5000 permits to see immediately each changes to do: cam's modification is performed in real time. At the end of editing, it is possible to memorise the modifications.

MAKING SOFTWARE TO MEASURE

If the numerous possibilities shown are not sufficient, hohner Automazione S.r.l. can realise a software made the measure to satisfy custom request.

Encoder input	Opto-coupled input for 360-positions/rev. encoder, internal encoder, internal encoder's power supply 24V dc 300mA. AVAILABLE CODES Gray, Gray excess, Binary, BCD. ENCODER ELECTRONIC: all configurations with 24V dc permitted.
Auxiliary input/output	Input(output) opto-coupled 24Vac/dc for optional functions; external supply
Message input	Opto-coupled input to interface PLC; external supply 24Vac/dc
Display	2 backlighted LCD, 16 characters x 2 line
Keyboard	16 keys, anti-abrasive panel, polycarbonate made
Interface	RS232C type, optional
Battery charge life	Lithium Size AA, 6 years
Programs	8 available +1 (0) for editing temporary modifications/real time
Display during work	DSP1: directed degrees, base displacement, speed, work program N. DSP2: cam's state
Base displacement	Settable from 0 to 359°
Dynamic displacement	Settable from 0 to 3600°
Speed	Max settable: 900rev./min

Ordering code



İMAJ



İmaj Teknik Elektrik Elektronik San. ve Tic. Ltd. Şti.

EMEKYEMEZ MAH.TUTSAK SOK. NO: 16/13-14-15

KARAKOY/İSTANBUL
TURKEY

Telefon : +90 212 235 9535 / 36
Fax : +90 212 235 9537

www.imajteknik.com
www.imajteknik.com.tr